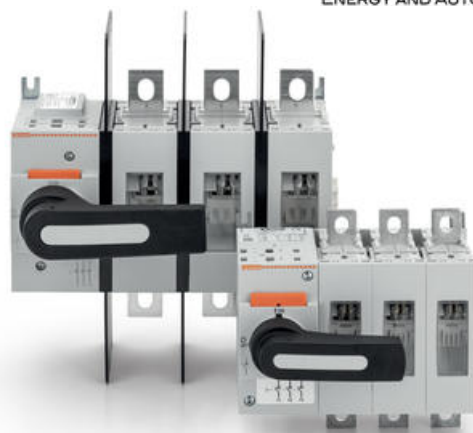


LASTADSKILLERE 160 TIL 315 A LOVATO GL

GL0160C1

Lastomskifter 3P 160A

- 160 til 315 A ved AC21
- Kompakt størrelse
- 200 A model iht. UL98
- Montage med skruer eller for DIN-skinne (35 mm)

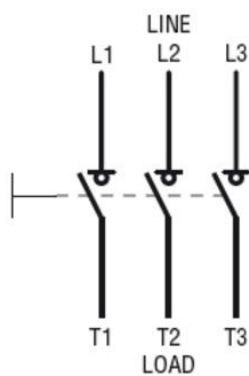
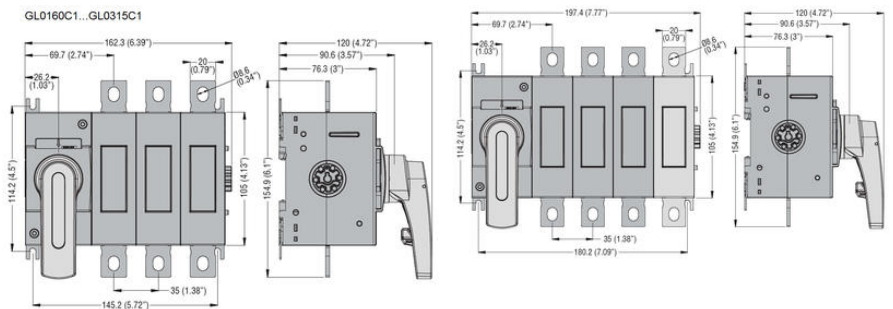
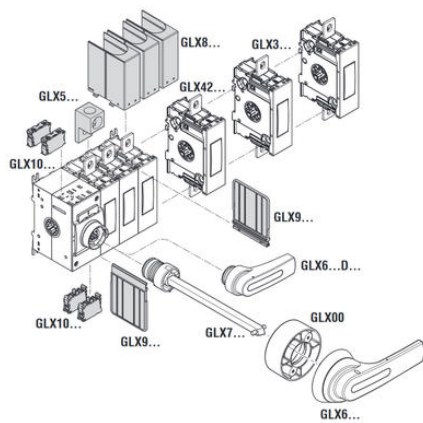


PRODUKTBESKRIVELSE

SPECIFIKATIONER

Antal poler	3
Breaking capacity AC23A 400 V	1280 A
Bredde	162,3 mm
Conditional short-circuit current rms	100 kA
Godkendelser	EN60947-3, IEC 60947-3 , IEC 60947-1
Højde	154,9 mm
IEC rated operational current le AC21A 400 V	160 A
IEC rated operational current le AC21A 500 V	160 A
IEC rated operational current le AC21A 690 V	160 A
IEC rated operational current le AC22A 400 V	160 A
IEC rated operational current le AC22A 500 V	160 A
IEC rated operational current le AC22A 690 V	160 A
IEC rated operational current le AC23A 400 V	160 A
IEC rated operational current le AC23A 400 V	90 kW
IEC rated operational current le AC23A 500 V	160 A
IEC rated operational current le AC23A 690 V	144 kW
IEC rated operational current le AC23A/690 V	160 A
Isolationsspænding (Ui)	1000 V

Making capacity AC23A 400 V	1600 A
Montage	DIN-skinne 35 mm, Skrue montering
Nominel impulsspænding Uimp	12 kV
Rated short-time current (1s) Icw rms	8 kA
Temperaturområde drift fra	-25 °C
Temperaturområde drift til	55 °C
Termisk strøm Ith	160 A
Tilspændingsmoment maks	22 Nm
Tilspændingsmoment min	15 Nm
Tværsnit	70-185 mm ²
Vægt	1,74 kg



SWITCH DISCONNECTORS

- COMPACT SIZE**
The three-pole switch disconnectors are made up of a body with compact dimensions: 102mm/3.98" wide up to 315A, 202mm/7.95" wide 500A to 500A, 221mm/8.71" for 630A, 268mm/10.55" from 630A to 800A and 317mm/12.48" for 1000A.
- UL98 VERSION**
Switch disconnectors are listed for USA and Canada, certified according to UL98/CSA C22.2 0.4. General use currents available: 100-200-400-600-800A.
- FOUR-POLE VERSION AVAILABLE**
Switch disconnectors are supplied with three-pole configuration. To realize the four-pole version, a fourth pole add-on can be purchased.
- EASY INSTALLATION ON DIN RAIL**
The switch disconnectors can be mounted on a DIN rail (for sizes from 100A to 315A) or on a plate by screw fitting.
- FLEXIBLE INSTALLATION ORIENTATION**
Switch disconnectors can be installed in all directions. The clip for screw fitting can be adjusted both in rotation and position (flexible fitting).
- COMPONENT FLEXIBILITY**
It is possible to mount the fourth pole, neutral and earth-ground terminals on both sides of the switch disconnectors using 2 screws.
- ANTI-SLIDE INSERT FOR DIN RAIL**
For sizes from 100A to 315A there are two rubber pad inserts that prevent the sliding of switch disconnectors on the DIN rail.

