



GRENRØRSFØLER TIL PLASTINDUSTRIEN

Serie TC47-MT

TC47-MT
Grenrørsføler

- Måleområde fra -40 op til 750 °C
- Type J, L, K eller T (andre efter behov)
- Forlængerkabel i eksempelvis PTFE, fiberglas eller PVC
- Fikseret forudbestemt længde og monteres direkte i processen
- Meget let at skifte


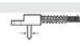




PRODUKTBESKRIVELSE

SPECIFIKATIONER

Temperaturområde fra -40 °C

Temperaturområde til 750 °C

Manifold block <ul style="list-style-type: none"> Stainless steel Others on request 		Lead wire covering <ul style="list-style-type: none"> None Stainless steel overbraid (no tracer) Stainless steel overbraid (with tracer) Tin copper overbraid Interlocking flexible armour 																																								
Junction <ul style="list-style-type: none"> Grounded (unisolated) Ungrounded (isolated) 		Termination at lead end <ul style="list-style-type: none"> Bare ends Standard thermo plug 2-pin (male) Miniature thermo plug 2-pin (male) Standard plug with cable clamp (male) Miniature plug with cable clamp (male) Lemosa plug size 15 (male) Lemosa plug size 25 (male) Screw-in plug, Binder (male) Others on request 																																								
Tip diameter (Ø) <ul style="list-style-type: none"> 4 mm Others on request 		Calibration type <table border="0"> <tbody> <tr> <td>J</td> <td>ANSI MC96.1</td> <td>red Ø</td> <td>white Ø</td> </tr> <tr> <td>F</td> <td>ANSI MC96.1</td> <td>red Ø</td> <td>yellow Ø</td> </tr> <tr> <td>T</td> <td>ANSI MC96.1</td> <td>red Ø</td> <td>blue Ø</td> </tr> <tr> <td>J</td> <td>IEC 584-3</td> <td>white Ø</td> <td>black Ø</td> </tr> <tr> <td>K</td> <td>IEC 584-3</td> <td>white Ø</td> <td>green Ø</td> </tr> <tr> <td>T</td> <td>IEC 584-3</td> <td>white Ø</td> <td>brown Ø</td> </tr> <tr> <td>J</td> <td>DIN 43714</td> <td>blue Ø</td> <td>red Ø</td> </tr> <tr> <td>K</td> <td>DIN 43714</td> <td>green Ø</td> <td>red Ø</td> </tr> <tr> <td>T</td> <td>DIN 43714</td> <td>brown Ø</td> <td>red Ø</td> </tr> <tr> <td colspan="4">Others on request</td> </tr> </tbody> </table>	J	ANSI MC96.1	red Ø	white Ø	F	ANSI MC96.1	red Ø	yellow Ø	T	ANSI MC96.1	red Ø	blue Ø	J	IEC 584-3	white Ø	black Ø	K	IEC 584-3	white Ø	green Ø	T	IEC 584-3	white Ø	brown Ø	J	DIN 43714	blue Ø	red Ø	K	DIN 43714	green Ø	red Ø	T	DIN 43714	brown Ø	red Ø	Others on request			
J	ANSI MC96.1	red Ø	white Ø																																							
F	ANSI MC96.1	red Ø	yellow Ø																																							
T	ANSI MC96.1	red Ø	blue Ø																																							
J	IEC 584-3	white Ø	black Ø																																							
K	IEC 584-3	white Ø	green Ø																																							
T	IEC 584-3	white Ø	brown Ø																																							
J	DIN 43714	blue Ø	red Ø																																							
K	DIN 43714	green Ø	red Ø																																							
T	DIN 43714	brown Ø	red Ø																																							
Others on request																																										
Tip length <ul style="list-style-type: none"> 12 mm 20 mm 25 mm Others on request 																																										
Lead length <ul style="list-style-type: none"> 500 mm 1000 mm 1500 mm 2000 mm 2500 mm Others on request 																																										
Lead wire <ul style="list-style-type: none"> Fiberglass / Fiberglass PTFE / PTFE PVC / PVC Kapton / Kapton Others on request 																																										