



GASFYLDT TERMOMETER MED KAPILARRØR

Serie F73

F73-3904857

Ø100 0-60°C 90x13mm L=3m glat indstik

- Måleområde fra -200 op til 700°C
- Husdiameter 100 eller 160mm
- Montering med bagflange i rustfrit stål eller monteringsfæste
- Kapillarrør op til 15m
- Option: Overfladebulb som processtilslutning

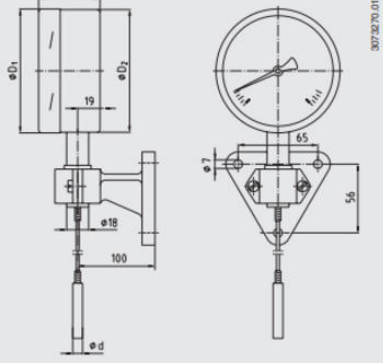


PRODUKTBESKRIVELSE

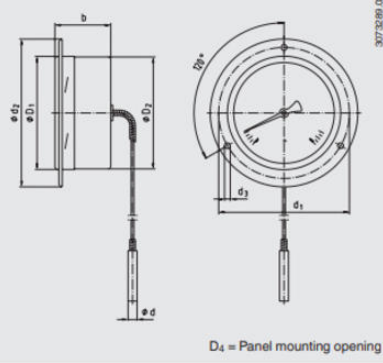
SPECIFIKATIONER

Capillary diameter	2 mm
Capillary length	3000 mm
Diameter	100 mm
Indstikslængde	90 mm
IP-klasse	IP65
Material Capillary	Rustfrit stål 316Ti
Materiale glas	Lamineret sikkerhedsglas
Materiale hus	Rustfri stål 1.4301
Materiale medieberørte del	Rustfrit stål 316
Omgivelsestemperatur fra	-40 °C
Omgivelsestemperatur til	60 °C
Plug diameter	13 mm
Temperaturområde fra	0 °C
Temperaturområde til	60 °C

Model F73, with capillary and instrument mounting bracket

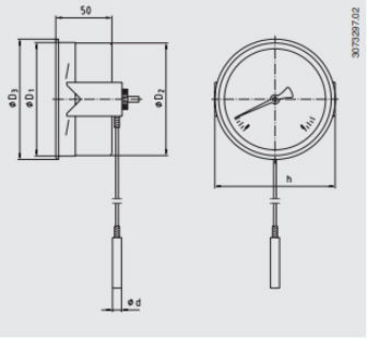


Model F73, with capillary and panel mounting flange

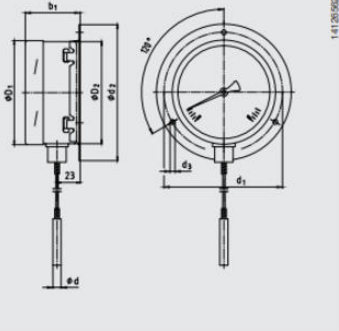


D₄ = Panel mounting opening

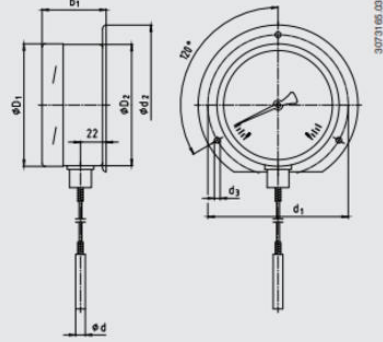
Model F73, with capillary and triangular bezel with clamp



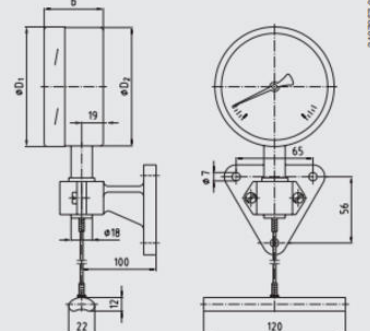
Model F73.100, with capillary and surface mounting flange



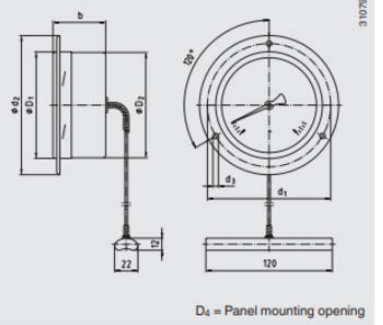
Model F73.160, with capillary and surface mounting flange



Model F73, with contact bulb
Capillary and instrument mounting bracket

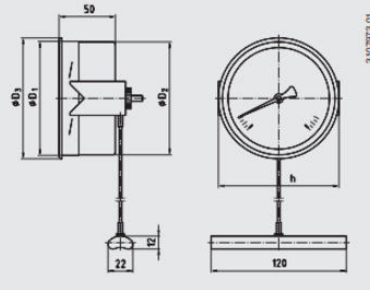


Model F73, with contact bulb
Capillary and panel mounting flange

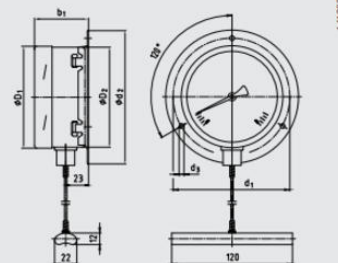


D₄ = Panel mounting opening

Model F73, with contact bulb
Capillary and triangular bezel with clamp



Model F73.100, with contact bulb
Capillary and surface mounting flange



Model F73.160, with contact bulb
Capillary and surface mounting flange

