

## ERNG SERIEN

### ERNG-I

- Max Pressure: 190 bar
- Temperaturområde: -20 til 60°C
- Setpoints: USB, RS48 4-20mA, 1-5VDC - 0 -10 VDC
- Turn-on Time <240 milliseconds
- Vægt: 5.7 kg



## PRODUKTBESKRIVELSE

### ERNG-X Serien

Er et steady state no bleed engineered system for nøjagtig og stabil kontrol af naturlige gasser.

ERNG-X indeholder en tryk regulator, preconditioning filter, og en ER5000 for at automatisere kontrollen. ERNG-X er panel monteret og kan nemt installeres i en lukket kasse eller på væggen.

### Applikationer

- Automated natural gas pressure or flow control

### Fordele

### ERNG-I

- Precise accuracy
- 16 Bit for Data Acquisition
- Steady state no bleed
- Control algorithms for Internal Feedback, External

### Feedback or Cascade Control modes

- Selectable SETPOINT Signal Source
- USB (Not recommended)
- RS485
- External analog (4-20mA or 1-5VDC)
- Downloadable Profile (runs independent of PC or external analog source)

### Selectable FEEDBACK Signal Source

- Internal Sensor (0-100 psig / 0-6.9 bar)
- External Analog: 4-20mA or 1-5VDC

### Selectable Control Limits

- Programmable limits for analog setpoint, feedback and error signals
- Selectable control states: "Hold Last Pressure", "Vent", or "Full Open"

### TESCOM ERTune™ software provided for data acquisition, PID tuning (real time graphic display of setpoint and feedback), creating and downloading profiles

- TESCOM DLL provided for easy custom software development
- Software examples are provided for VB.NET, LabVIEW, C and C#
- Trigger data acquisition based on system events
- Two additional analog/digital inputs and two digital

### Outputs that allow the user to:

- Monitor an external signal in addition to feedback (e.g. flow, temp, force)
- Alternate between two separate external feedback sources
- Start/Stop or Resume/Pause pressure profiles
- Wait for event to occur before proceeding to the next step in a downloaded profile (digital input)

- Indicate that an event occurred in a downloaded profile (digital output)

**Analog output of the internal pressure sensor**

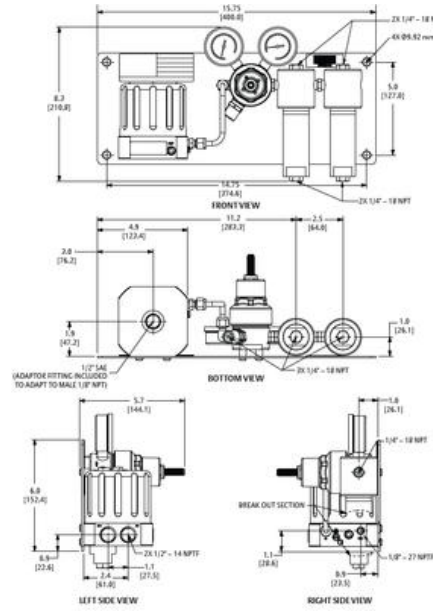
- Conditional control with "IF/THEN" and "GoTo" profile commands
- Suspend control feature to lock output pressure for an extended period of time
- ER5050FX-1-002: NEMA 4X and IP66 (water tight, corrosion resistant)

**ERNG-V**

- All features of the ERNG-I except with 0-10 VDC Setpoint and Feedback signals

Example for selecting a part number:

ERNG	-	I		
BASIC SERIES		DASH NUMBER		ER OPTION
ERNG		I		Current
		V		Voltage



**ERNG-X Typical Applications**

The following diagram is an example of a typical ERNG-X application. The ERNG-X controls the downstream pressure on the pipeline main regulator by varying the spring case pressure of the pipeline pilot regulator.

