

KOMPAKT, ATEX, IP67, FLAME PROOF, OFFSHORE, HØJ NØJAGTIGHED VED LAVT FLOW

Brooks - Metal Tube Va-Meter - MT3750 serien

MT3750C
Metal VA-Meter MT3750C

- Medieberørte dele 316 SS eller Monel
- Flow op til 100 L/h
- Høj temperatur og højt tryk
- Integreret reguleringsventil på ind- eller udløssiden



PRODUKTBESKRIVELSE

Brooks flowmåler MT3750C er en pålidelig flowmåler til lavt flow. Den har metalrør, hvor medieberørte dele er i 316L rustfrit stål.

Den magnetisk koblede indikator er meget pålidelig til indikation. Denne model er både et praktisk og økonomisk valg for lavt flow og ved højt tryk/høj temperatur, og særligt når man beskæftiger sig med aggressive væsker.

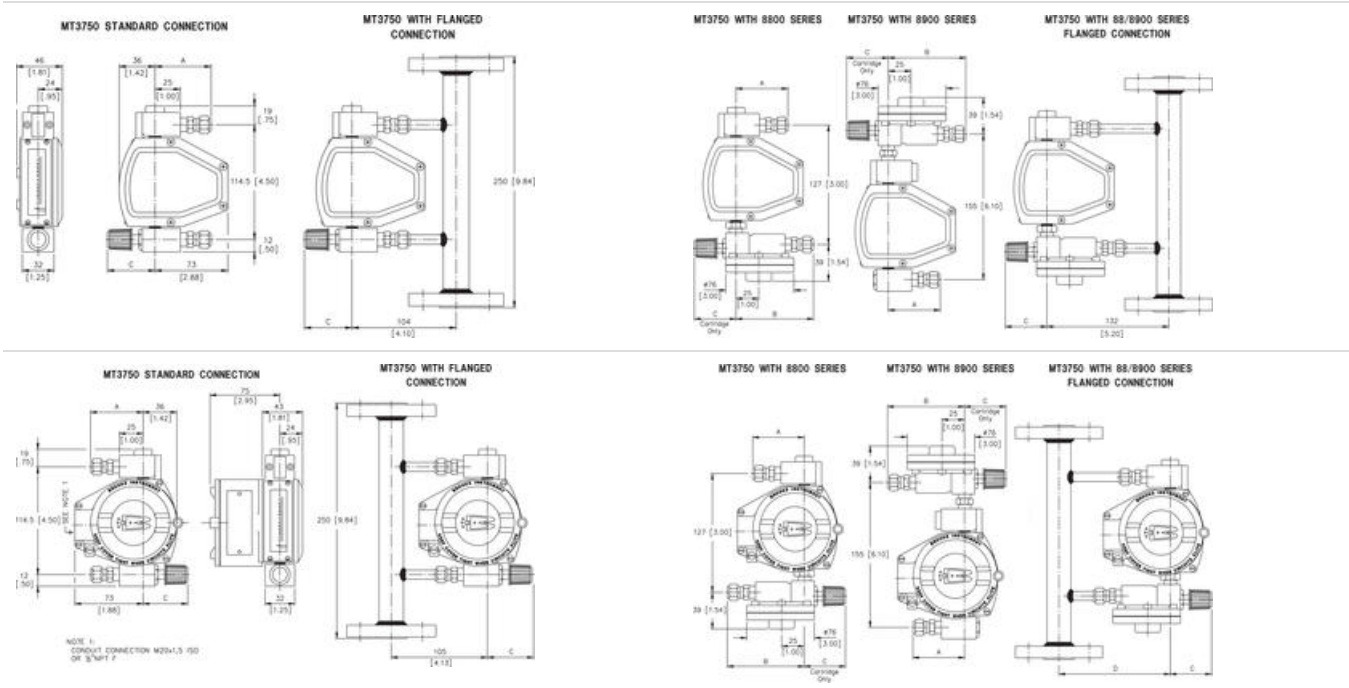
Fås med 4-20 mA udgang, nåleventil på indløb eller udløb samt flowkontrollere eller alarmer tilgængelige.

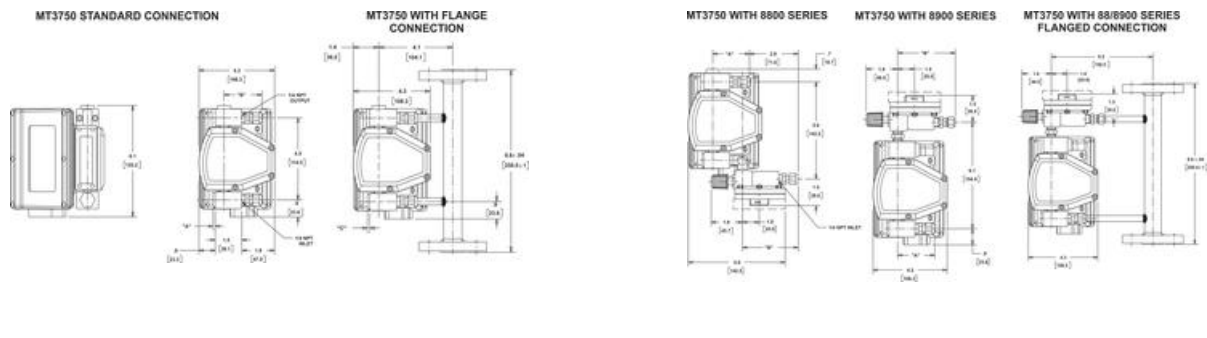
TEKNISKE DATA

Maks. flow	Væsker op til 100 l/h eller 26 GPH (H ₂ O ekv.) Gasser op til 3,1 m ³ /h eller 120 SCFH (luft ekv.) (Se under "tilslutninger" for mere information)
Nøjagtighed	±5 % fuldt skalaudslag (FS), Class 4 VDE/VDI 3513 Option: ±3 % FS, Class 2,5 VDE/VDI 3513
Repeterbar	1 % FS
Trykklasse	
Maksimalt væsketryk	Gånganslutning: 1 500 psi (100bar) Flangetilslutninger: (se tabel 2)
Option	Maks. arbejdsdruk: 4 000 psig (276 bar) (ingen ventil, kun 1/4")
Skala	Længde - 52 mm, nominelt Direkte visende aluminumsskala
Maks. væsketemperatur	Indikator: -29 °C til 204 °C Alarm: -29 °C til 120 °C Transmitter: -29 °C til 82 °C

Omgivelsesstemperatur	Indikator: -50 °C til 65 °C Alarm: -29 °C til 65 °C Transmitter: -29 °C til 65 °C (Se tabel 3 for mere information)
Materialer	
Medieberørte dele Option	316L rustfrit stål (1.4404), Inconel® 625, Titan Grade II (endast storlek 0 flottör) Monel® K-500
O-ringe	Standard: Viton® fluoroelastomers
Option	Buna-N, Ethylenen Propylene, Kalrez®, PTFE (uden ventil)
Beskyttelsesklasse	Støbt aluminium, epoxy malede Indikatorhus: Type 4X/IP64 Transmitterhus: Type 4X/IP66/IP67 Reed Switch hus: Type 4X Induktivt alarm hus: Type 4X/IP65
Tilslutninger	Horisontalt 1/4" NPT Indvendigt gevind 1/4" Kompressionskobling 6 mm Kompressionskobling 1/4" ISO RC (Se tabel "Tilslutninger")
Flanger	DIN 2527/2635 DN15 til DN25 PN40 RF ANSI B16.5 1/2", 3/4" eller 1" - 150#, # 300, 600# RF Kun vertikalt ind- og udløb (Se tabel "Tilslutningerr")
Mekanisk certificering	Trykdirektivet (PED) 97/23/EG Flowmålere er fremstillet i overensstemmelse med lyd Engineering Praksis (SEP)
EI- certificering	Certified Ex-proof, Intrinsically safe ATEX, CSA, IECEx och NEPSI godkendt

MÅL





TYPENUMMER

@@article@@

Model: 3750C	
AR-MITE ARMORED PURGE FLOWMETER	
BASE MODEL NUMBER	ARMORED PURGE FLOWMETER
3750C	
MATERIAL SPECIFICATION	
1	316L STN. STL. & CON. CERTIFICATION
2	316L STN. STL. CON. CERTIFICATION & CERTIFIED MATERIAL TO EN 2.2
3	316L STN. STL. CON. CERTIFICATION & CERTIFIED MATERIAL TO EN 3.1
4	316L STN. STL. CON. CERTIFICATION & SECTION IX WELDING
5	316L STN. STL. CON. CERTIFICATION & CERTIFIED MATERIAL TO EN 2.2 / SECTION IX WELDING
6	316L STN. STL. CON. CERTIFICATION & CERTIFIED MATERIAL TO EN 3.1 / SECTION IX WELDING
A	316L STN. STL.
B	316L STN. STL. CERTIFIED MATERIAL TO EN 2.2
C	316L STN. STL. CERTIFIED MATERIAL TO EN 3.1 B
D	316L STN. STL. WITH SECTION IX WELDING
E	316L STN. STL. CERTIFIED MATERIAL TO EN 2.2 / SECTION IX WELDING
F	316L STN. STL. CERTIFIED MATERIAL TO EN 3.1 / SECTION IX WELDING
METER SIZE	
0	MODEL 8300
G	
SEALS	
A	STANDARD DESIGN VITON O-RINGS
B	STANDARD DESIGN TEFLO-FLUOROPOLYMER O-RINGS
C	STANDARD DESIGN BRASS O-RINGS
D	STANDARD DESIGN KALREZ O-RINGS (WITH VALVE)
E	STANDARD DESIGN KALREZ O-RINGS (WITHOUT VALVE)
F	STANDARD DESIGN PTFE O-RINGS
G	STANDARD DESIGN TEFLO IN METER AND KALREZ IN VALVE
H	ALL WELDED / HIGH PRESSURE NO ELASTOMER, NO VALVE CAVITY
CONNECTION SIZE AND TYPE	
1	1/4" NPT (L) - INTEGRAL
2	1/4" TUBE COMPRESSION - WITH ADAPTER
3	3/8" TUBE COMPRESSION - WITH ADAPTER
4	1/2" NPT (L) - WITH ADAPTER
5	3/4" NPT (L) - WITH ADAPTER
6	1" NPT (L) - WITH ADAPTER
A	1/2" ANGI 1504 RF FLANGE - VERTICAL ONLY
B	1/2" ANGI 3004 RF FLANGE - VERTICAL ONLY
C	1/2" ANGI 4004 RF FLANGE - VERTICAL ONLY
D	3/4" ANGI 1504 RF FLANGE - VERTICAL ONLY
E	3/4" ANGI 3004 RF FLANGE - VERTICAL ONLY
F	3/4" ANGI 4004 RF FLANGE - VERTICAL ONLY
G	1" ANGI 1504 RF FLANGE - VERTICAL ONLY
H	1" ANGI 3004 RF FLANGE - VERTICAL ONLY
J	1" ANGI 4004 RF FLANGE - VERTICAL ONLY
K	1.5" ANGI 1504 RF FLANGE - VERTICAL ONLY
L	1.5" ANGI 3004 RF FLANGE - VERTICAL ONLY
M	1.5" ANGI 4004 RF FLANGE - VERTICAL ONLY
CONNECTION ORIENTATION	
1	HORIZONTAL INLET AND OUTLET OR ANGLED CONNECTIONS ONLY
2	VERTICAL INLET & OUTLET OR ANGLED CONNECTIONS ONLY
VALVE CONFIGURATION	
A	NO VALVE (STANDARD) - TYPICAL WITH LOGS
B	LOW FLOW VALVE ON INLET TYPICAL FOR SIZES 0.5, 1, 2
C	MEDIUM FLOW VALVE ON INLET TYPICAL FOR SIZES 3, 4, 6
D	HIGH FLOW VALVE ON INLET TYPICAL FOR SIZES 8, 9, 6
E	NO VALVE CAVITY ALL WELDED / HIGH PRESSURE ONLY
K	NBS VALVE - SIZE 4 ON INLET TYPICAL FOR SIZES 0.5, 1
L	NBS VALVE - SIZE 4 ON INLET TYPICAL FOR SIZE 2
M	NBS VALVE - SIZE 3 ON INLET TYPICAL FOR SIZE 3
N	NBS VALVE - SIZE 4 ON INLET TYPICAL FOR SIZES 4, 5

1	1/4" NPT (L) - INTEGRAL
2	1/4" TUBE COMPRESSION - WITH ADAPTER
3	3/8" TUBE COMPRESSION - WITH ADAPTER
4	1/2" NPT (L) - WITH ADAPTER
5	3/4" NPT (L) - WITH ADAPTER
6	1" NPT (L) - WITH ADAPTER
A	1/2" ANGI 1504 RF FLANGE - VERTICAL ONLY
B	1/2" ANGI 3004 RF FLANGE - VERTICAL ONLY
C	1/2" ANGI 4004 RF FLANGE - VERTICAL ONLY
D	3/4" ANGI 1504 RF FLANGE - VERTICAL ONLY
E	3/4" ANGI 3004 RF FLANGE - VERTICAL ONLY
F	3/4" ANGI 4004 RF FLANGE - VERTICAL ONLY
G	1" ANGI 1504 RF FLANGE - VERTICAL ONLY
H	1" ANGI 3004 RF FLANGE - VERTICAL ONLY
J	1" ANGI 4004 RF FLANGE - VERTICAL ONLY
K	1.5" ANGI 1504 RF FLANGE - VERTICAL ONLY
L	1.5" ANGI 3004 RF FLANGE - VERTICAL ONLY
M	1.5" ANGI 4004 RF FLANGE - VERTICAL ONLY
CONNECTION ORIENTATION	
1	HORIZONTAL INLET AND OUTLET OR ANGLED CONNECTIONS ONLY
2	VERTICAL INLET & OUTLET OR ANGLED CONNECTIONS ONLY
VALVE CONFIGURATION	
A	NO VALVE (STANDARD) - TYPICAL WITH LOGS
B	LOW FLOW VALVE ON INLET TYPICAL FOR SIZES 0.5, 1, 2
C	MEDIUM FLOW VALVE ON INLET TYPICAL FOR SIZES 3, 4, 6
D	HIGH FLOW VALVE ON INLET TYPICAL FOR SIZES 8, 9, 6
E	NO VALVE CAVITY ALL WELDED / HIGH PRESSURE ONLY
K	NBS VALVE - SIZE 4 ON INLET TYPICAL FOR SIZES 0.5, 1
L	NBS VALVE - SIZE 4 ON INLET TYPICAL FOR SIZE 2
M	NBS VALVE - SIZE 3 ON INLET TYPICAL FOR SIZE 3
N	NBS VALVE - SIZE 4 ON INLET TYPICAL FOR SIZES 4, 5

SPECIFIKATIONER

Alarm	Switch
Certifikater	ATEX Zone 1, Atex Zone 1 flame proof, IECEx Zone 1 + 2, KOSHA Zone 1.
Flow	4.3 l/h - 3.1 m ³ /h
Flydemateriale	Rustfrit stål 316L
Forsyningsspænding	24 V
Forsyningsspænding DC max	24 V DC
Funktion	Mass flow meter
Gentagelsesnøjagtighed	1% F.S

Godkendelser	ATEX, CE, CSA, IECEx, PED
I/O-porte - udgang	4-20mA
IP-klasse	IP64, IP66, IP67
Materiale hus	Rustfrit stål 316L, Titanium
Materiale medieberørte del	Rustfrit stål 316L, Titanium
Materiale O-ring	Buna, Kalrez, PTFE
Medietemperatur fra	-50 °C
Medietemperatur til	204 °C
Nøjagtighed	3-5% F.S
Reguleringsområde	1:10
Skalalængde	52 mm
Temperaturområde fra	-29 °C
Temperaturområde til	65 °C
Tilslutning	NPT, BSP, Clamp, 6mm tube, 1/4" tube, Flanger 1/4 - 1"
Tryk	100 bar
Trykområde max	276 bar
Vandflow	0.096 - 100 l/h

